

DIN-Rail CV Decoder

0-80...384W 4A × 4CH 5-24Vdc

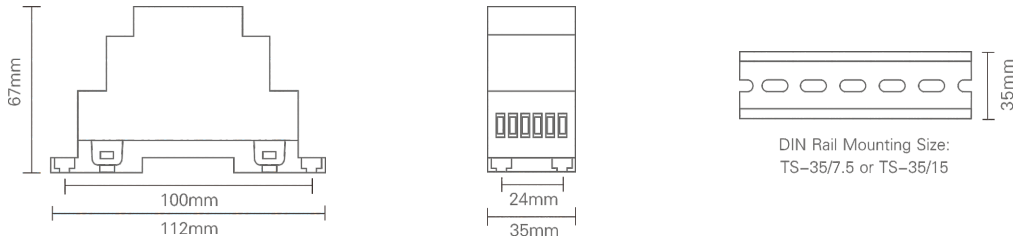
- Dimming interface: DMX512, RDM.
- PWM digital dimming, no alter LED color rendering index.
- Dimming range: 0~100%, LED start at 0.1% possible.
- Max. current output: 16A.
- Full protective plastic housing.
- Suitable for indoor environments.



Main Characteristics

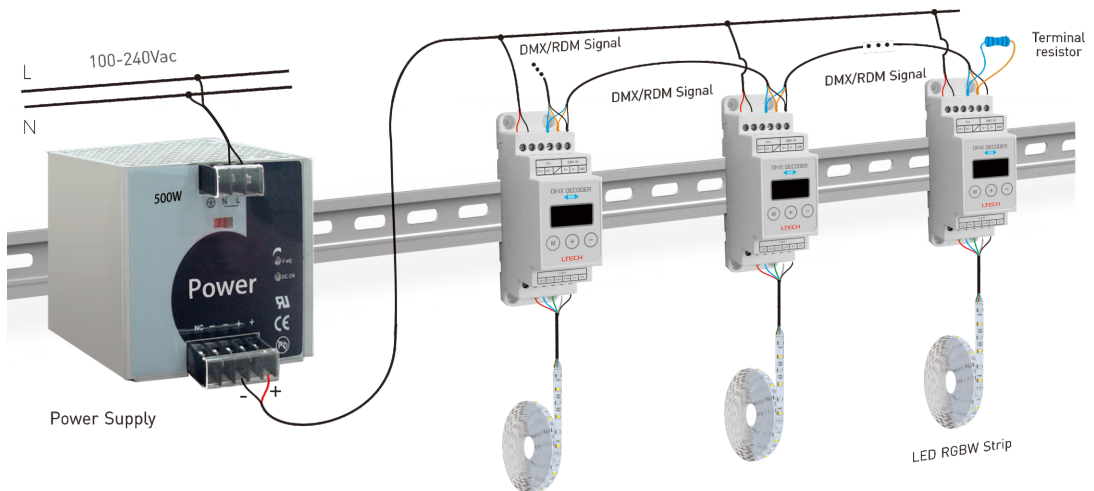
Dimming Interface:	DMX512, RDM	Mounting:	DIN-Rail or Screw
Input Voltage:	5~24Vdc	Working Temperature:	-30°C~55°C
Output Voltage:	5~24Vdc	Product Size:	L112×W35×H67(mm)
Output Current:	4A×4CH Max. 16A	Package Size:	L114×W37×H70(mm)
Output Power:	(0~20W...96W)×4CH Max. 384W	Weight(G.W.):	135g
Dimming Range:	0~100%		

Dimensions

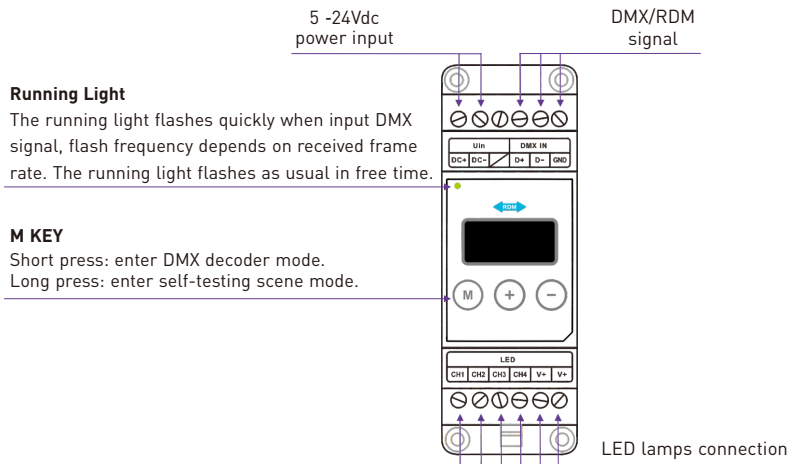


Wiring Diagram

12V lamp connected, loads 0~192W(12V). 24V lamp connected, loads 0~384W(24V).



- * An amplifier is needed when more than 32 decoders are connected, signal amplification should not be more than 5 times continuously.
- * If the recoil effect occurs because of longer signal line or bad line quality, please try to connect 0.25W 90-120Ω terminal resistor at the end of each line.



Running Light

The running light flashes quickly when input DMX signal, flash frequency depends on received frame rate. The running light flashes as usual in free time.

M KEY

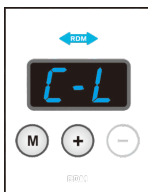
Short press: enter DMX decoder mode.
Long press: enter self-testing scene mode.

DMX Decoder Mode.

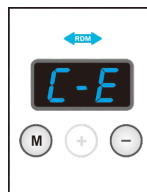
In DMX decoder mode, the screen will be locked if unmanned operation for 15S, press ⊕ or ⊖ key to unlock.

Address Setting: Press ⊕ or ⊖ key, the 3 address value start to flicker, the DMX initial address can be changed now. (Range: 001-512)

- ⊕ : Short press to add one more address, long press to add quickly.
- ⊖ : Short press to subtract one more address, long press to subtract quickly.
- Ⓜ : Short press to quit.



Long press Ⓜ and ⊕ key at the same time, set the brightness output to linearity curve [C-L].



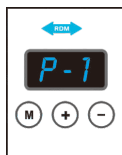
Long press Ⓜ and ⊖ key at the same time, set the brightness output to Gamma curve [C-E]



Long press ⊕ and ⊖ key at the same time, check the present luminosity curve.

Self-testing Scene Mode.

Long press "M" key to enter self-testing scene mode.



Switch changing modes by pressing ⊕ ⊖ key.

NO.	Digital Tube Display (press +/- to switch)	MODE
1	P-1	Static Red
2	P-2	Static Green
3	P-3	Static Blue
4	P-4	Static Yellow
5	P-5	Static Purple
6	P-6	Static Cyan
7	P-7	Static White
8	P-8	7 Color Jumping
9	P-9	7 Color Smooth

Restore the Default Parameter:

Long press Ⓜ ⊕ ⊖ keys at the same time, Restore the default parameter, digital tube display "RES".

Default Parameters: DMX decoder mode, DMX base address is 1, Gamma curve, self-test in No.1 pattern status.

